



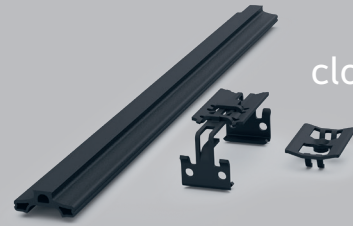
Made in Germany

megawood®

For a fast and easier installation, we recommend the use of the locking clamps and grooved strip on a 40x60 mm or 80x60 mm megawood® substructure. This means that a permanent pre-drilling and screwing of the clips on is no longer necessary. We do not provide a warranty for terrace constructions with construction beams that are not made of megawood® materials.

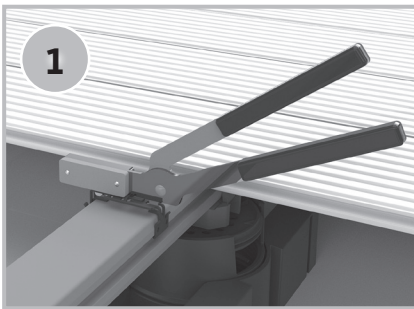
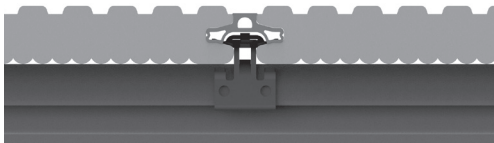
Assembly instructions

Locking clamp & Clip
stainless steel & normal steel
for
closed gaps

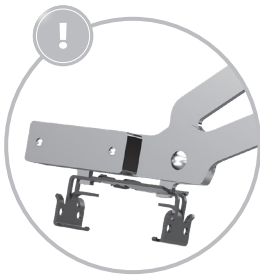


LOCKING CLAMP

Gap size
8 mm ± 0,5 mm

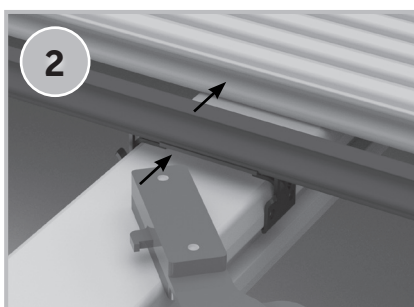
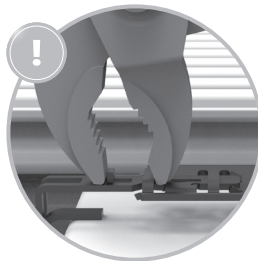


1 Position the locking bracket on the construction beam using the Zammer (a professional tool comprising both pliers and a hammer) and lock it into place.



Place the bracket on the zammer before placing it on top of the construction beam.

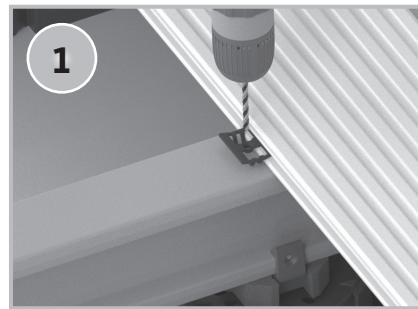
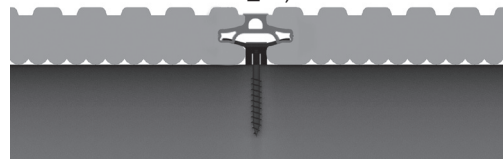
As an alternative, you can also lock it in place using water pump pliers. Place the pliers on the stirrup and hook.



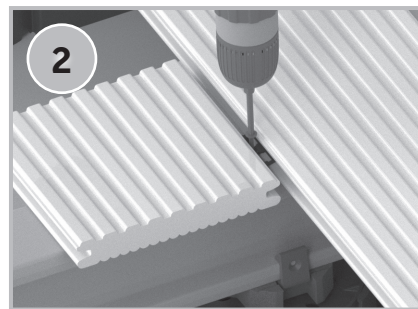
2 Insert the locked in bracket into the groove in the board.

CLIP

Gap size
8 mm ± 0,5 mm



1 Position the clip with the stop and predrill with a 3 mm bit.



2 Position a clip with a board segment. Tighten the screw, applying an average torque.



Both of the boards are to be positioned against the clip.



3 Press the grooved strip from one side to the other, piece by piece, into the groove.



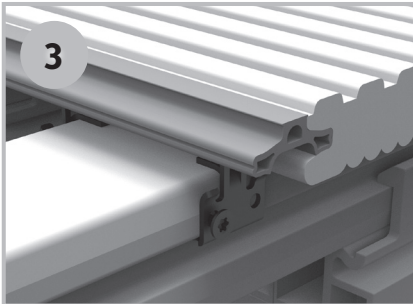
Made in Germany

megawood[®]

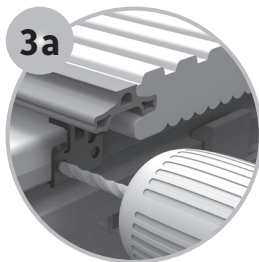


The grooved strip should be installed without tension (stress-free).

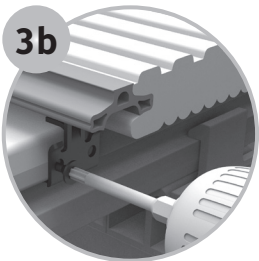
Note, the dimensional change in length due to temperature differences, of 0.15 mm per 1 m and Kelvin.



After every metre, fix the clamps to the construction beam in the longitudinal direction of the substructure.



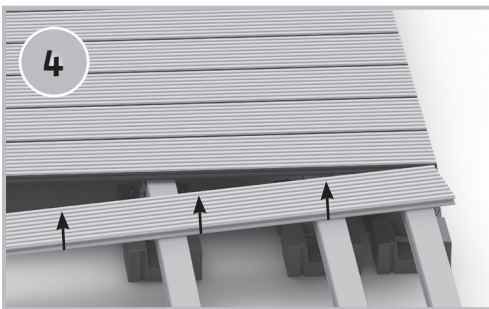
Pre-drill the construction beam.



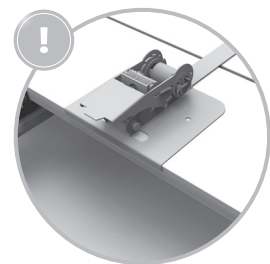
Fix the brackets on the construction beam using the enclosed screws. Do not tighten the screws.



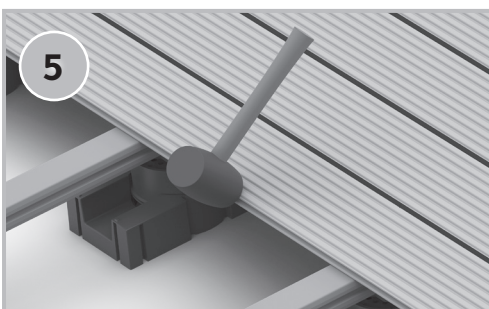
In salty environments, use the **stainless steel clip** or **locking clamp**.



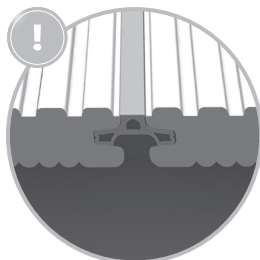
Place the next plank from one side to the other and press it into the grooved strip.



Optionally you can use a parquet tensioner as an aid.



Align the board with a rubber hammer and ensure that the grooved strip is positioned correctly.



Irregularities in the gap are reduced by the spread of the boards.